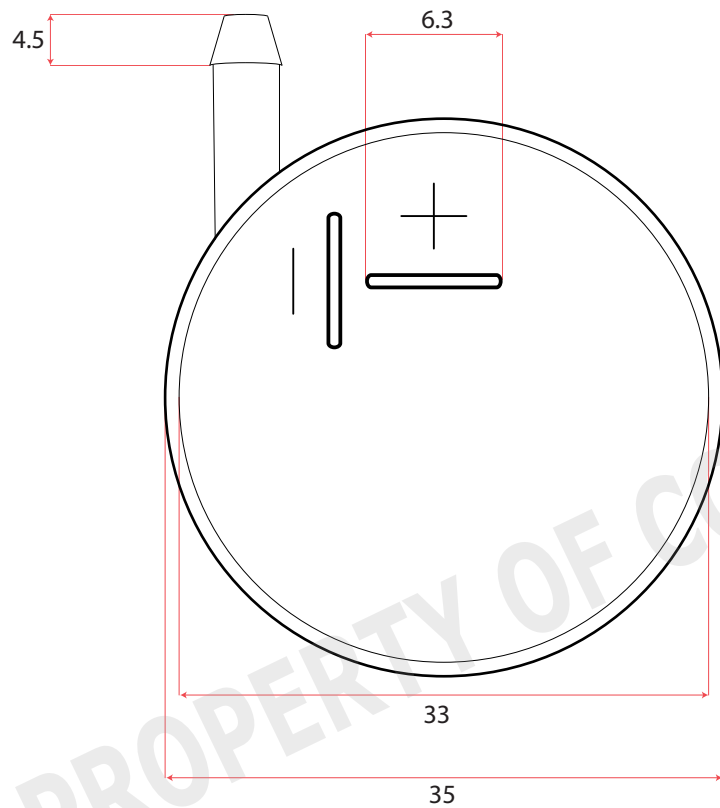
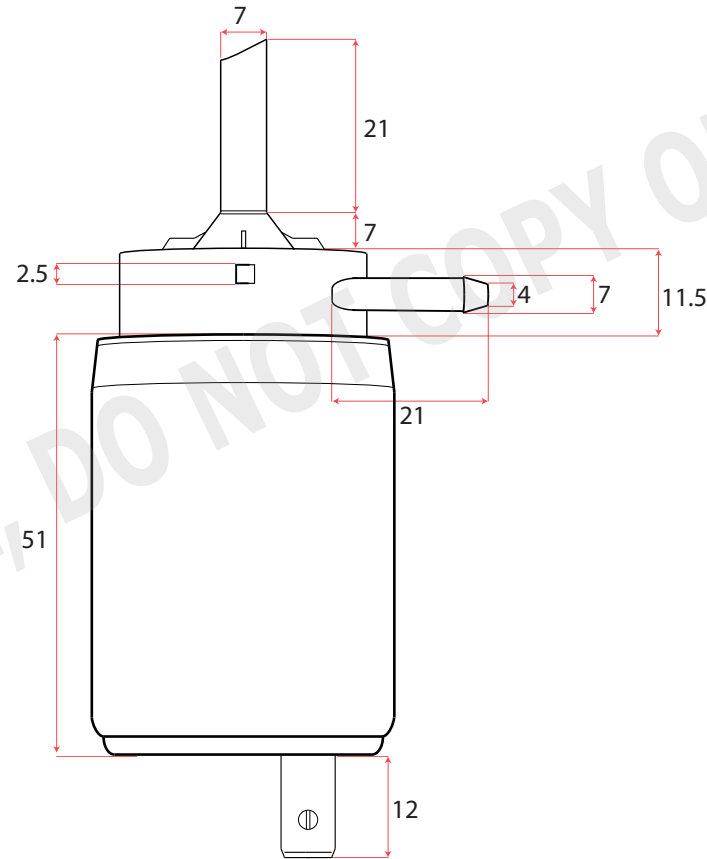


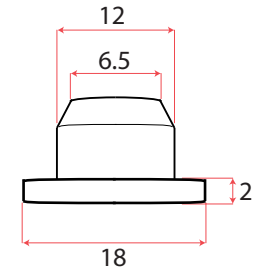
FRONT VIEW



SIDE VIEW



GROMMET



+ / - 5% All Dimensions In MM

Part Number	03-004
Voltage	12v
Operating Current	4.5A
Discharge Pressure (kPa)	180
Discharge Pressure (BAR)	1.8
Flow Rate (with Jet)	300ml/10secs
Operating Environment	-30°C~+85°C
Weight	89g



Marlborough Works, Marlborough Road, Accrington, BB5 5BE
 Tel: +44 (0) 1254 300 730 Fax: +44 (0) 1254 237432
 e-mail: sales@currentcare.co.uk

© Copyright CurrentCare Ltd 2020

All Measurements And Specifications Are Accurate + / - 5%
 Some Specifications May Vary / Change Without Prior Notice